

# TUFTEX<sup>®</sup>



## Vinyl Building Panels Corrugated & 9" On Center Profile *(For Poultry Applications)*



Visit us on the web at [www.tuftexpanel.com](http://www.tuftexpanel.com) or give us a call.  
800-777-7663 (Toll Free) or +540-898-7000 (International)

**OnduLine<sup>®</sup>**  
NORTH AMERICA

Can be used as ceiling  
and wall liners in new  
construction, and retrofitting  
or up-grading older wood-lined  
buildings such as:

Poultry Farms  
Hog Farms  
Dairy Farms  
Kennels  
Riding Arenas  
Marinas  
Food Processing Plants  
Meat Packing Plants  
Fish Farms  
Car & Truck Washes  
Storage Facilities  
Factories

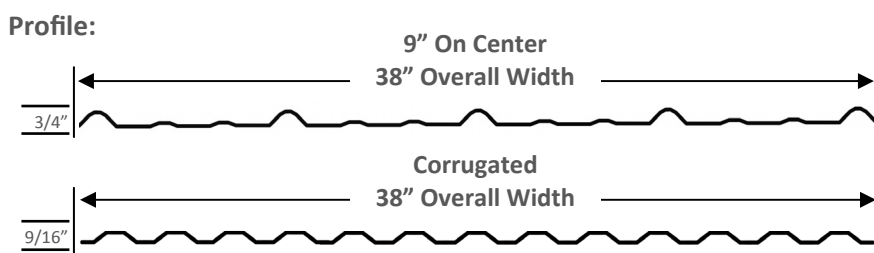
### Benefits

Non-Flammable  
Corrosion Resistant  
High-Impact Strength  
High Gloss Finish  
Easy to Cut to Length  
Easy to Install  
Excellent Light Reflection  
High Water Pressure Cleaning  
Noise Reduction Value  
Will Not Rust, Rot, Chip or Peel

### Installation Tips

- Storage:** Inside, out of sun and always covered (climatize product)
- Cutting:** Single panels - use utility knife, scissors or snips. Multiple panels - cut with a circular saw using a plywood blade reversed.
- Screwing:** Predrill all fastening holes 1/8" to 3/16" larger than the diameter of the fastener being used or use a one-step galvanized (or stainless for corrosive environments) screw with neoprene washer.

### Specifications



**Panel Sizes:** Widths: 38" Overall Width, 36" Coverage  
Lengths: 8'2", 10'2", 12'2", 16'4", 20'4", 24'4"  
Thickness: .032"  
Custom Lengths Available

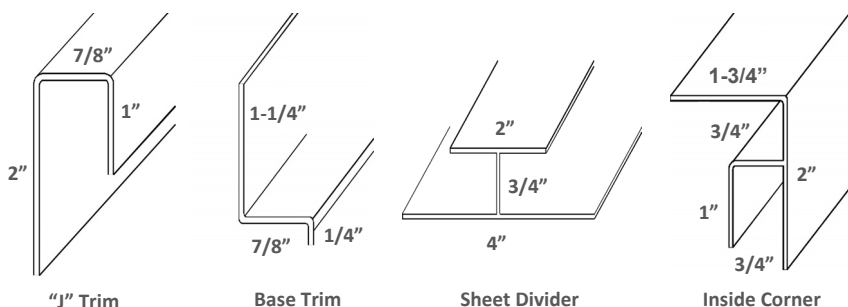
**Color:** Bright White or Black

### Warranty

10-Year Limited Warranty

### Accessories

A full line of accessories are available to make your installation easier and enhance the look of your finished interior walls and ceilings.



"J" Trim

Base Trim

Sheet Divider

Inside Corner